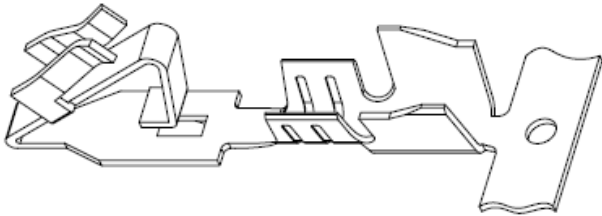


# Trifurcon

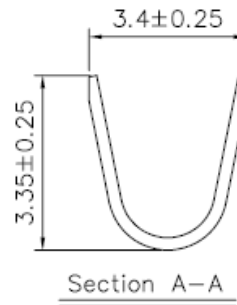
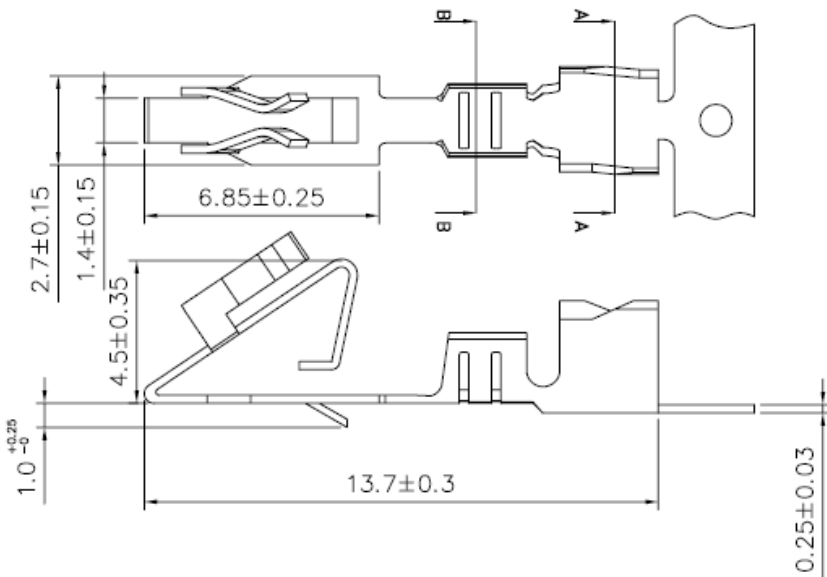
## 3.96mm (1.56") Pitch

### Female Terminal Crimp Pins

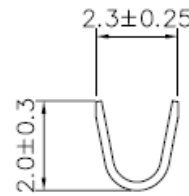


#### SPECIFICATIONS

Material: Brass  
Thickness: 0.25  
Hardness: SH  
Plating: Tin 40u" Min.  
Wire Range (AWG): 18~24  
Insulation O.D.: 1.57 Max.  
Mate: 1.14 Round Or Square Pin  
First Insertion Force: 0.68kg Max. Per Circuit  
Sixth Withdrawal Force: 0.113kg Min. Per Circuit  
Rated Voltage: AC/250V, DC/350V  
Rated Current: AC, DC 3A  
Temperature Range: -25°C ~ +85°C



Section A-A



Section B-B

#### NOTES:

- As in reel quantity or single pieces.
- All measurements are in millimeters unless otherwise noted.

